

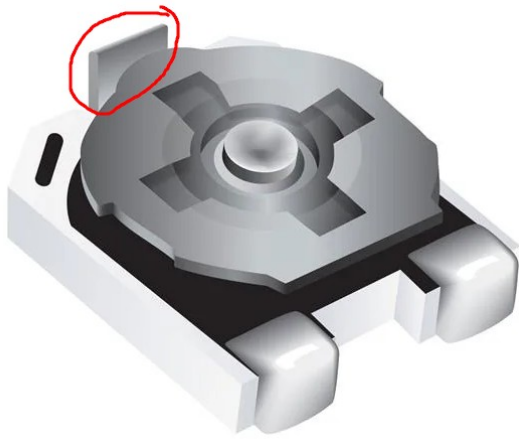
# CFT1 5-Band CW Field Transceiver

## Troubleshooting and Common Issues

This will be updated as we find common issues people experience and how to fix them!

**Issue:** Trimpot RV1, RV2, RV4 or RV5 continuously spins without resistance.

**Fix:** There is a small metal tab near the wiper of these pots that acts as a stop. Use a small flat head screwdriver to bend it inwards to fix!



**Issue:** One or two of the bands does not output RF.

**Fix:** The output low pass filter is split into 3 banks. One for 40/30 meters, another for 20/17 meters and one for 15 meters. If one of these sets is not putting out power, it is likely the filter is shorted to ground, likely by a capacitor. Set the radio to the band in question and check the relevant toroids (L18 and L23 for 40/30, L19 and L21 for 20/17, L20 and L22 for 15) to see if there is continuity to ground. If there is, use the schematic to find and remove the short.

Often, the short will either be a solder bridge, or part of a capacitor touching another component connected to ground.